



Tow-Trust Towbars

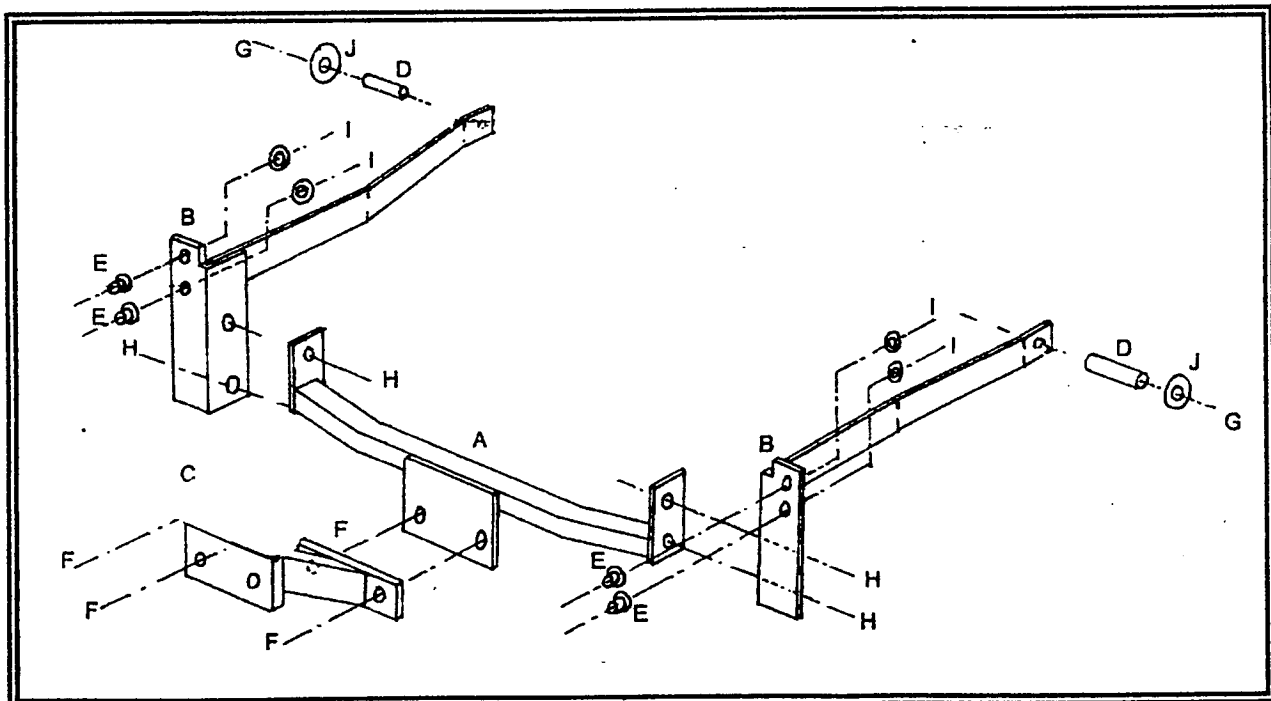
Important:

Please Read General Notes (overleaf) Before Fitting:

Type TR 813 Renault Laguna Estate 5 person & 7 person 95>

Item	Qty	Description	Item	Qty	Description
A	1	Crossbar	F	4	M16 x 50 Bolts Nuts Washers
B	2	Handed Side Arms	G	2	M10 x 80 Bolts Nuts Washers
C	1	Extension Bar	H	4	M12 x 30 Bolts 2 Nuts & 4 Washers
D	2	19 x 48 Tubes	I	4	M8 x 35 Bolts S/P & Flat Washers
E	4	M8 Caged Nuts	J	2	10 x 50 Washers
			K	2	Bolt Caps

1. Remove the rear exhaust hanger and the two bolts securing the forward heat shield.
2. Locate the four existing holes in the rear panel and insert the four caged nuts (item E)
3. Locate the existing holes in each chassis member using item G loosely bolt item B with item D inside the chassis (5 seater models only) and item J on the outer face.
4. Using item I loosely bolt item B to the caged nuts (item E) in the rear panel.
5. Using item H loosely bolt item A to item B.
6. Fully tighten all nuts and bolts, starting with item I (the M8 x 35's) ensure the towbar is rigid and secure.
7. Replace the heat shield and exhaust hanger.
8. Using item F bolt item C to item A.
9. Using item F bolt the ball bracket and wiring plate (not supplied in this kit) to the mounting plate.



Tow with Trust