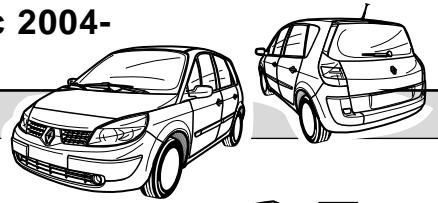
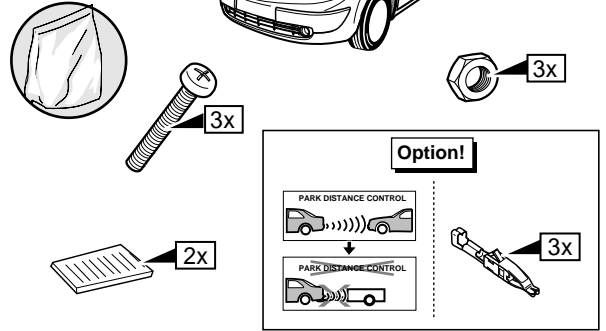
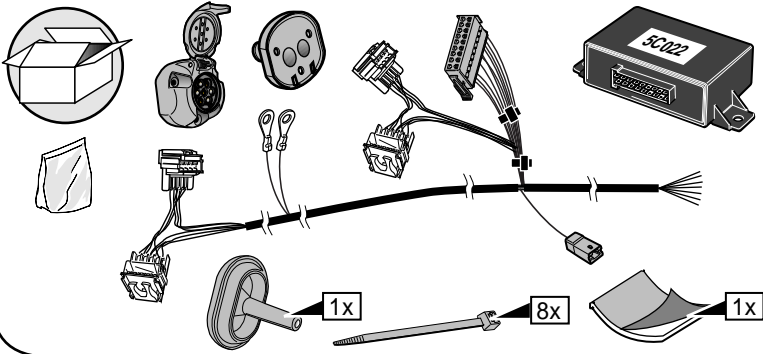


Renault Scénic 2003- Renault Grand Scénic 2004- Nr.: RN-044-BE



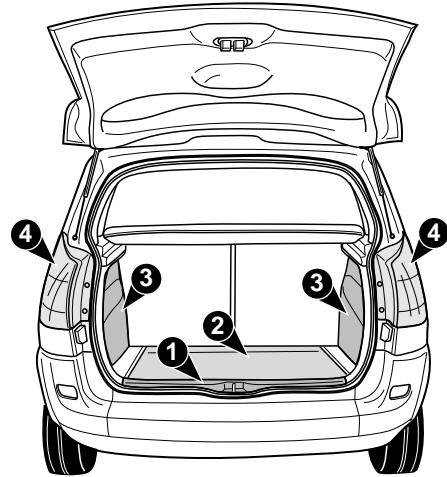
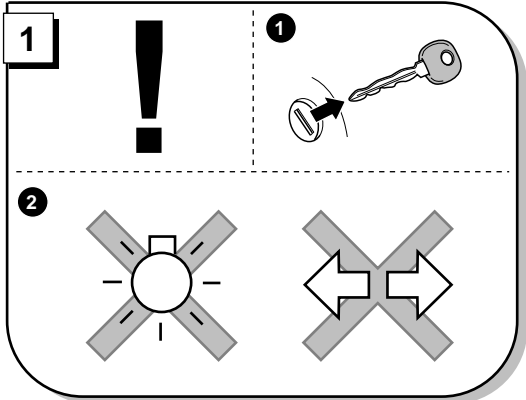
* Parts list



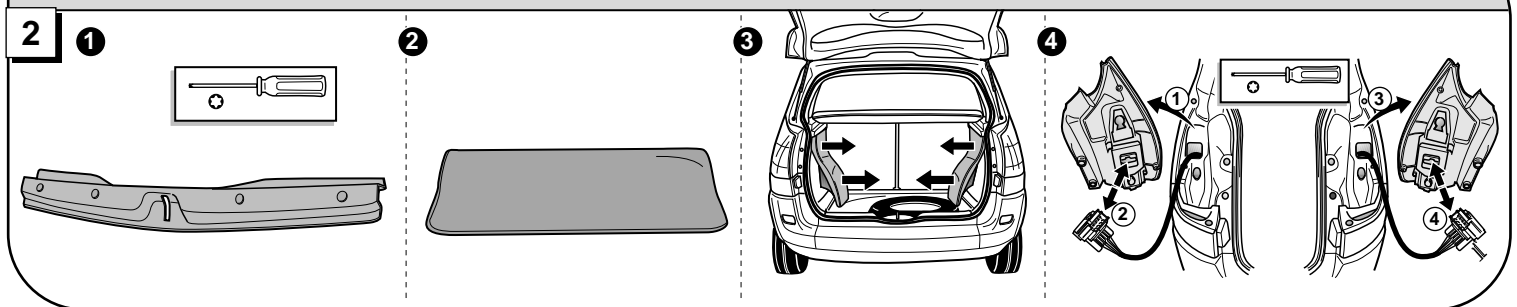
We would expressly point out that any improper assembly which is not carried out in a specialist workshop will result in the renunciation of the enforcement of compensation claims of any kind, in particular those arising by virtue of the product liability law. Subject to alteration without notice. Only use maximum charge according to connection table on towed vehicle, see page 2.



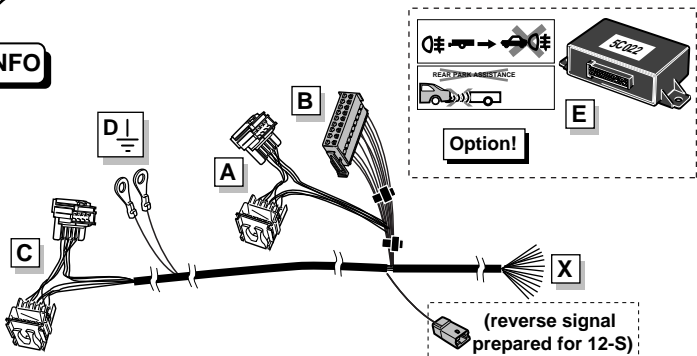
Fitting instructions electric wiringkit towbar with 12-N socket up to DIN/ISO norm 1724



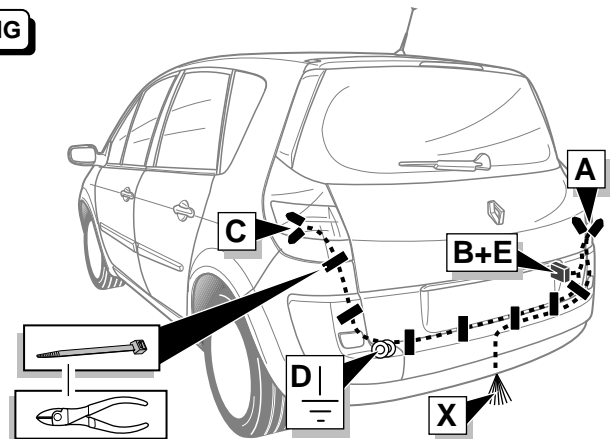
Remove linings



INFO



ROUTING

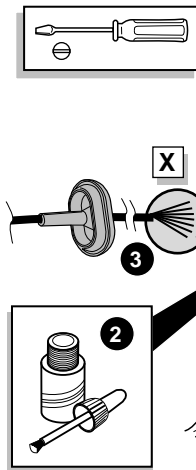


Socket connection

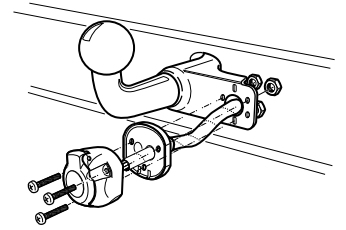
INFO

DIN/ISO 1724		GB	Maximum charge
	1/L	yellow	21W
	2	blue	2x21W
	3/31	white	
	4/R	green	21W
	5/58-R	brown	52W
	6/54	red	3x21W
	7/58-L	black	52W
	8/58-b	grey	

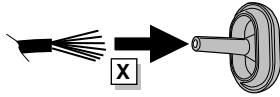
4



5

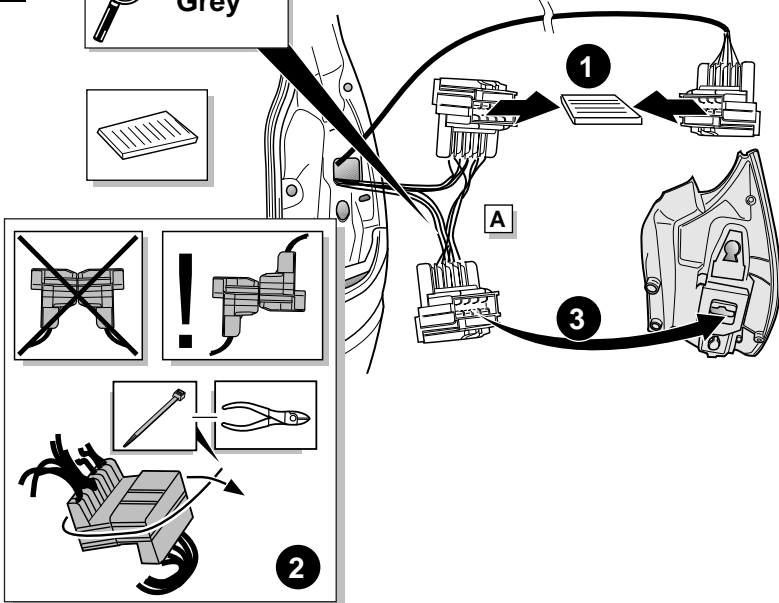


3



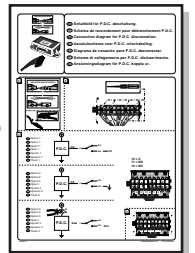
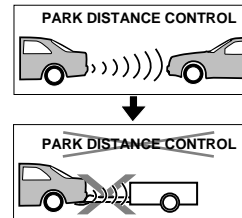
6

Grey

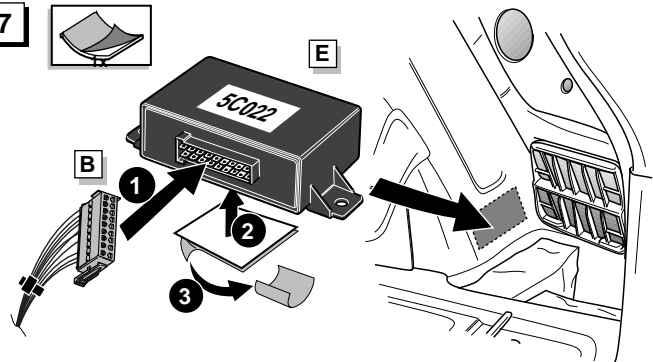


INFO

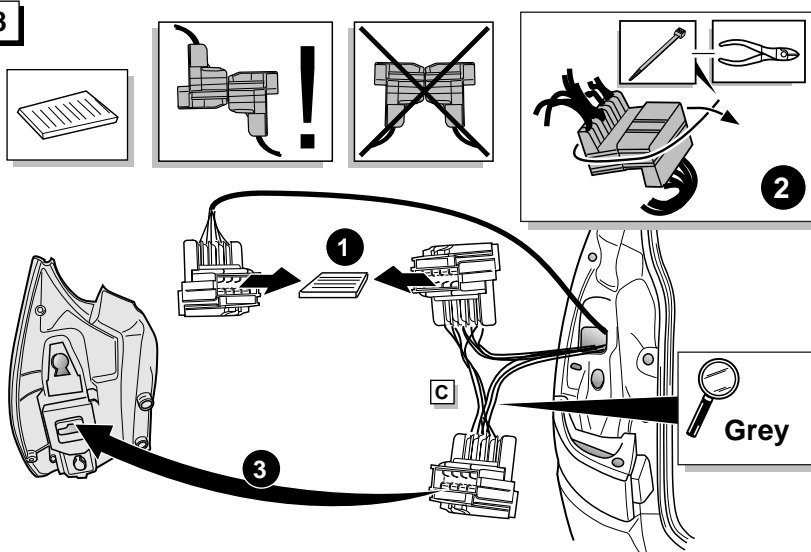
Option



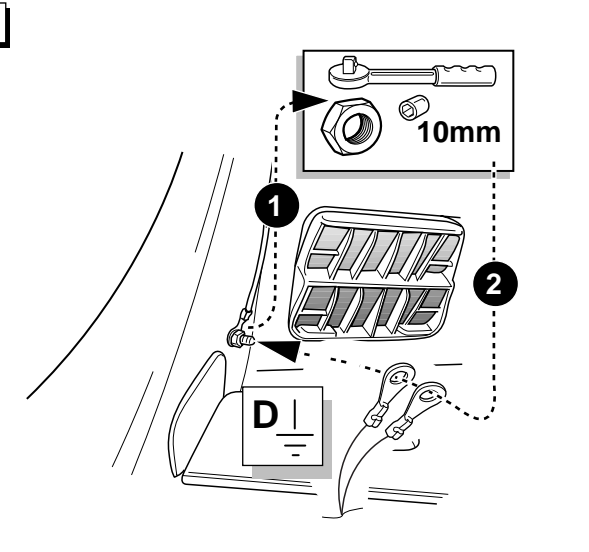
7



8



9

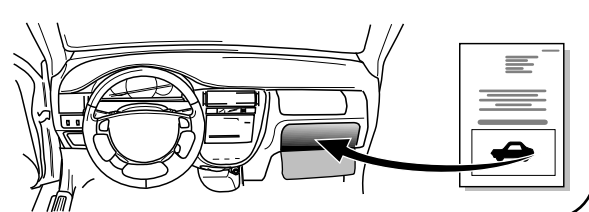


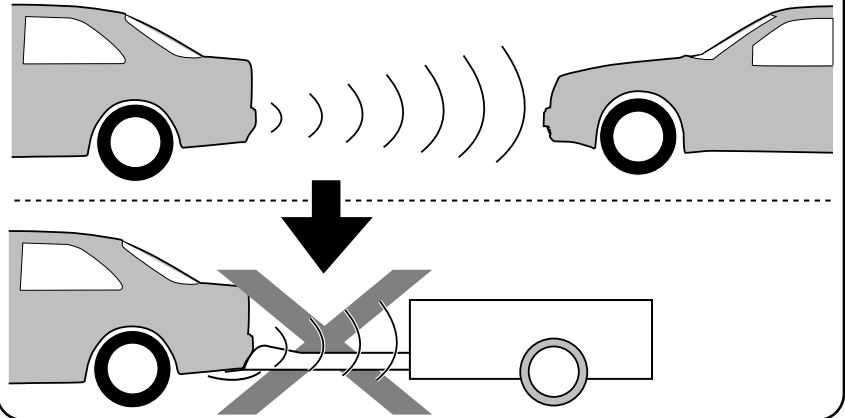
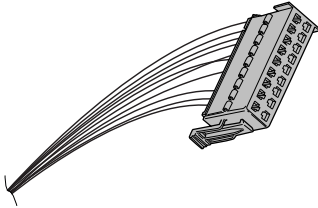
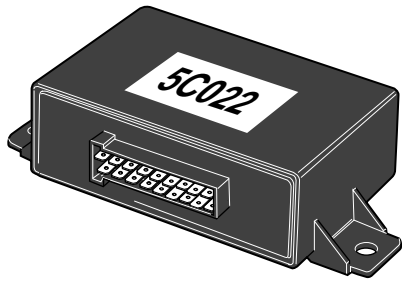
10 CHECK FUNCTIONS !

11 Reinstall linings.

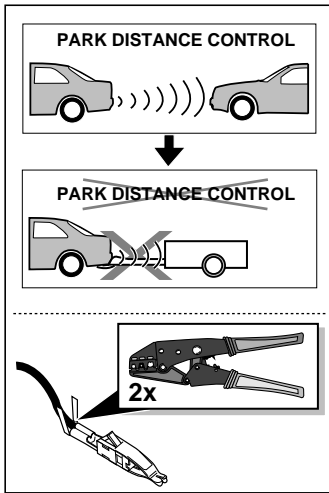
12 The functioning of the C2-module can be tested by connecting the trailer/caravan (or a test-box with 21W lamps) and switching on the indicator lights with a removed indicator light. The other indicator lights will flash quicker. (ATTENTION: a test-box on which only LED's are being used, can not not be used in this case).

13



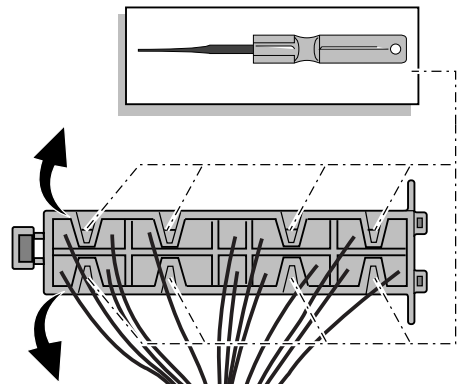


1

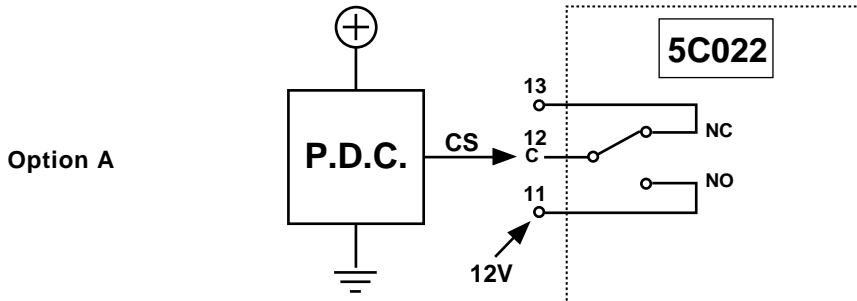


Option!

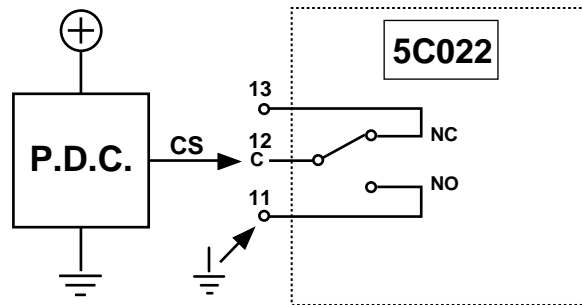
2



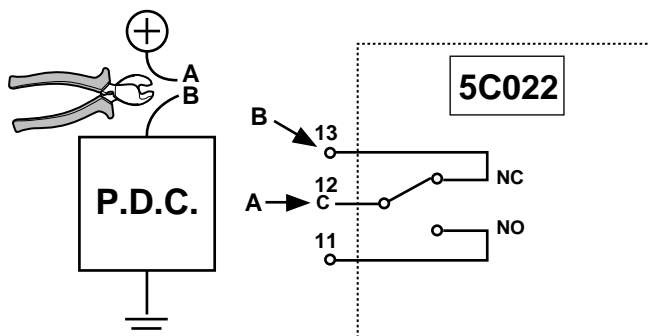
3



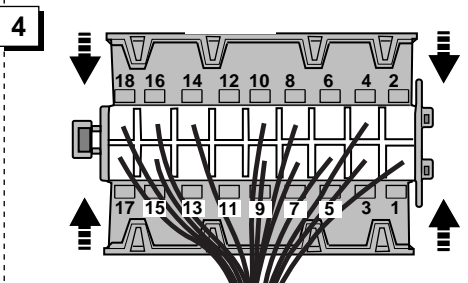
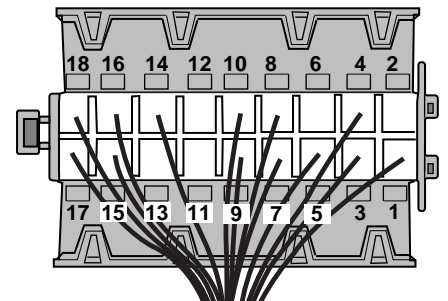
Option B



Option C



12 = C
11 = NO
13 = NC



4