



Fitting Instructions

FR810

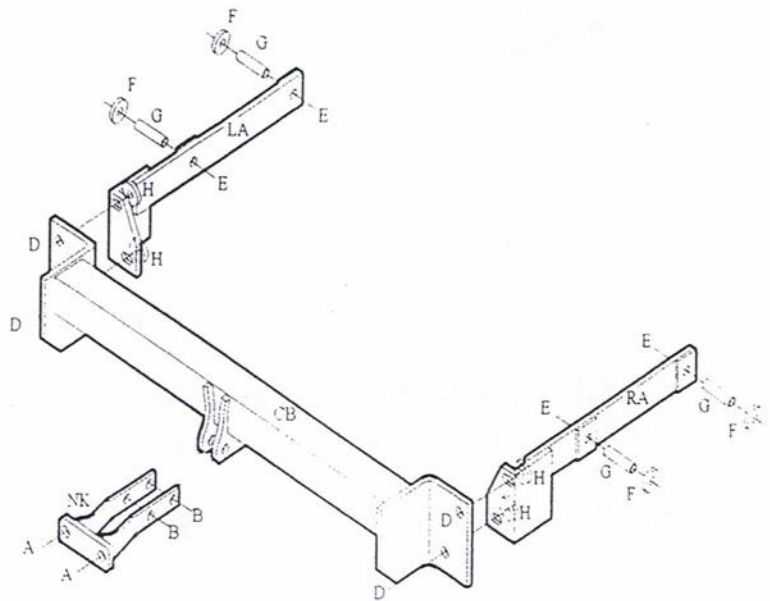
FORD MONDEO SALOON / HATCHBACK
NOV 1996 TO DEC 2000 (EXC ST24 & RS MODELS)

Bolt Kit

H	4	12MM SMALL ROUND WASHERS
F	4	10MM SMALL ROUND WASHERS
A	2	16x50 BOLTS,NUTS & GRIP WASHERS
E	4	10x110 BOLTS,NUTS & GRIP WASHERS
D	4	12x40 BOLTS,NUTS & GRIP WASHERS
B	2	12x90 BOLTS,NUTS & GRIP WASHERS
G	4	79 x 16 MM BUSHES

Contents

CS	1	CENTRE STRUT
CB	1	CROSSBAR
LA	1	LEFT ANGLE
RA	1	RIGHT ANGLE



1. REMOVE THE REAR BUMPER (2 NUTS ON INNER WHEEL ARCHES AND REMOVE 2 TIP SCREWS EITHER SIDE. 2 NUTS BEHIND THE TRIM INSIDE BOOT, 3 TORX SCREWS ALONG THE TOP EDGE AND 1 NUT HOLDING THE CLIP ON THE BOTTOM EDGE). ALSO REMOVE THE FOAM BUMPER INSERT (2 NUTS ON EITHER SIDE OF REAR VALANCE). CUT OUT A SECTION IN THE FOAM BUMPER INSERT AS SHOWN IN DIAGRAM OVERLEAF.
2. TEMPORARILY REMOVE THE EXHAUST RUBBER FROM IT'S HANGER AND HEAT SHIELD. (ON SOME MODELS WITH TWIN SILENCERS THIS WILL APPLY TO BOTH SIDES). LOOSELY ATTACH THE LEFT ANGLE LA AND RIGHT ANGLE RA TO THE INSIDE OF EACH CHASSIS RAIL USING BOLTS E WITH BUSHES G INSIDE THE CHASSIS RAILS AND WASHERS F ON THE OUTSIDE OF THE CHASSIS RAILS.
3. DRILL OUT THE 2 HOLES AT EACH SIDE OF THE REAR PANEL 12MM AND LOOSELY ATTACH THE CROSSBAR CB TO THE LEFT AND RIGHT ANGLES USING BOLTS D WITH WASHERS H UNDER THE NUTS.
4. CHECK AND TIGHTEN ALL BOLTS AND REPLACE THE BUMPER SECTIONS, EXHAUST AND HEAT SHIELD.
5. ATTACH THE CENTRE STRUT CS THROUGH THE BUMPER USING BOLTS B SADWICHING THE BUSHES C.
6. CHECK AND TIGHTEN ALL BOLTS.