



Fitting Instructions

PT906

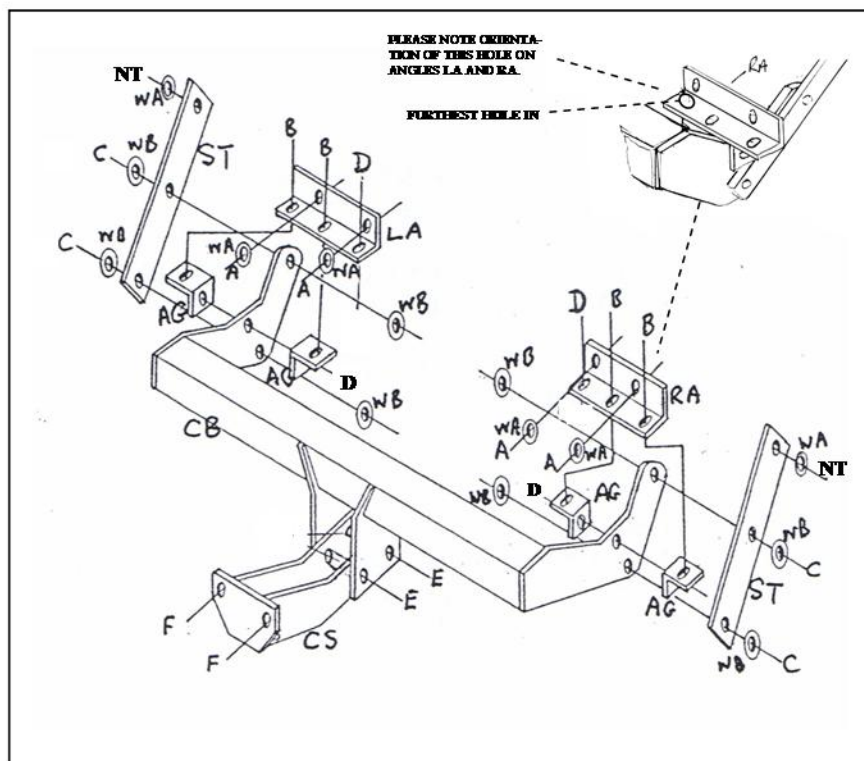
PEUGEOT 307 ESTATE / SW 2002 ON

Bolt Kit

WA	6 8MM LARGE ROUND WASHERS
WB	8 10MM LARGE ROUND WASHERS
NT	2 8MM NUTS & GRIP WASHERS
A	4 8x30 BOLTS & GRIP WASHERS
F	2 16x50 BOLTS, NUTS & GRIP WASHERS
C	4 10x50 BOLTS, NUTS & GRIP WASHERS
D	2 10x40 BOLTS, NUTS & GRIP WASHERS
E	2 12x90 BOLTS, NUTS & GRIP WASHERS
B	4 10x30 BOLTS, NUTS & GRIP WASHERS

Contents

CB	1 CROSSBAR
CS	1 CENTRE STRUT
LA	1 LEFT ANGLE
RA	1 RIGHT ANGLE
AG	4 ANGLES
ST	2 STRAPS



1. LOWER REAR EXHAUST. REMOVE THE THREE BOLTS SECURING THE UNDERSIDE OF THE REAR BUMPER TO THE CAR BODY AND ALSO THE NUT FASTENERS. (NOTE: THE OUTER 2 NUTS, REVERSE THE OPPOSITE WAY ROUND TO RECONNECT THE BUMPER).
2. REMOVE THE 2 LOWEST BUMPER BEAM BOLTS ON EACH SIDE OF VEHICLE. LOOSELY ATTACH ANGLES LA AND RA TO FIXING POINTS ON VEHICLE USING BOLTS A AND WASHERS WA. NOTE: IT MAY BE NECESSARY TO TEMPORARILY LOOSEN THE TWO UPPER BUMPER BEAM BOLTS ON EACH SIDE AND PUSH THE BUMPER UPWARDS WHILE FULLY TIGHTENING BOLTS A.
3. LOOSELY ATTACH ANGLES AG TO ANGLES LA AND RA USING BOLTS B. POSITION CROSSBAR CB OVER EXHAUST AND BETWEEN ANGLES AG AND LOOSELY ATTACH TO ANGLES AG USING BOLTS D. LOOSELY ATTACH STRAPS ST TO THE OUTER CHASSIS RAIL STUDS USING NUTS NT WITH WASHER WA. ATTACH STRAPS ST TO CROSSBAR CB USING BOLTS C WITH WASHERS WB.
4. LOOSELY ATTACH CENTRE STRUT CS TO CROSSBAR CB USING BOLTS E. CHECK AND TIGHTEN ALL BOLTS AND RECONNECT BUMPER AND EXHAUST.