



Fitting Instructions

RT823

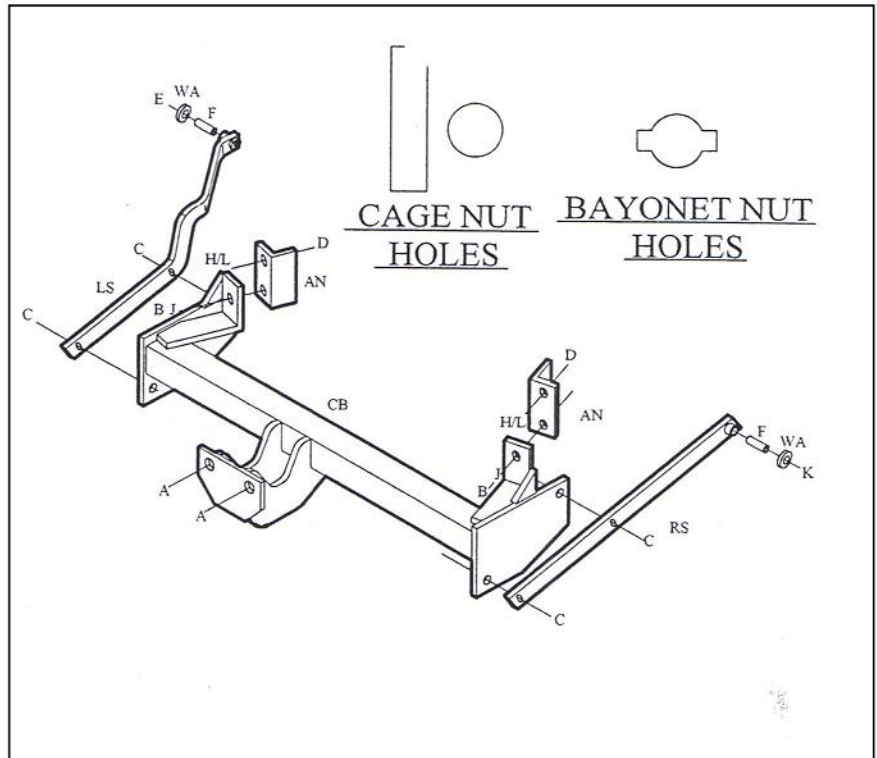
RENAULT MEGANE SCENIC
1997 TO 2003 (EXCL. RX4 MODELS)

Bolt Kit

- D 2 8x30 BOLTS & GRIP WASHERS
- WA 4 10MM LARGE ROUND WASHERS
- G 4 12MM LARGE ROUND WASHERS
- J 2 10MM SMALL ROUND WASHERS
- A 2 16x50 BOLTS, NUTS & GRIP WASHERS
- B 2 10x40 BOLTS, NUTS & GRIP WASHERS
- C 4 12x35 BOLTS, NUTS & GRIP WASHERS
- E 1 10x110 BOLTS & GRIP WASHERS
- K 1 10x100 BOLT & GRIP WASHER
- H 2 BAYONET NUTS
- L 2 8MM CAGE NUTS
- F 2 54 x 16MM BUSHES
- L CAGE NUTS (GOLD)

Contents

- CB 1 CROSSBAR
- LS 1 LEFT STRAP
- RS 1 RIGHT STRAP
- AN 2 ANGLES



1. REMOVE THE TWO RUBBER GROMMETS OR TAPE FROM BEHIND THE STEEL VALANCE UNDER THE VEHICLE AND INSERT THE CAGE NUTS H/L INTO THE TOP HOLES ONLY (DO NOT PUT THE CAGE NUTS INTO THE BOTTOM HOLES). LOOSELY ATTACH THE ANGLES AN TO THE CAGE NUTS H USING BOLTS D.
2. INSERT THE BUSHES F INTO THE PRE-DRILLED HOLES IN THE CHASSIS RAILS AND ATTACH STRAPS LS AND RS TO THE CORRESPONDING CHASSIS RAILS USING BOLTS E AND K WITH WASHERS WA UNDER BOLT HEADS AND BETWEEN STRAPS AND CHASSIS.
3. OFFER UP THE CROSSBAR CB AND ATTACH TO THE BOTTOM HOLES IN THE REAR VALANCE USING BOLTS B SANDWICHING THE STEEL VALANCE BETWEEN ANGLES AN AND CROSSBAR CB.
4. ATTACH STRAPS LS AND RS TO THE CROSSBAR CB USING BOLTS C WITH WASHERS G.
5. CHECK AND TIGHTEN ALL BOLTS.

SEE REVERSE FOR DIAGRAMS FOR FITTING